

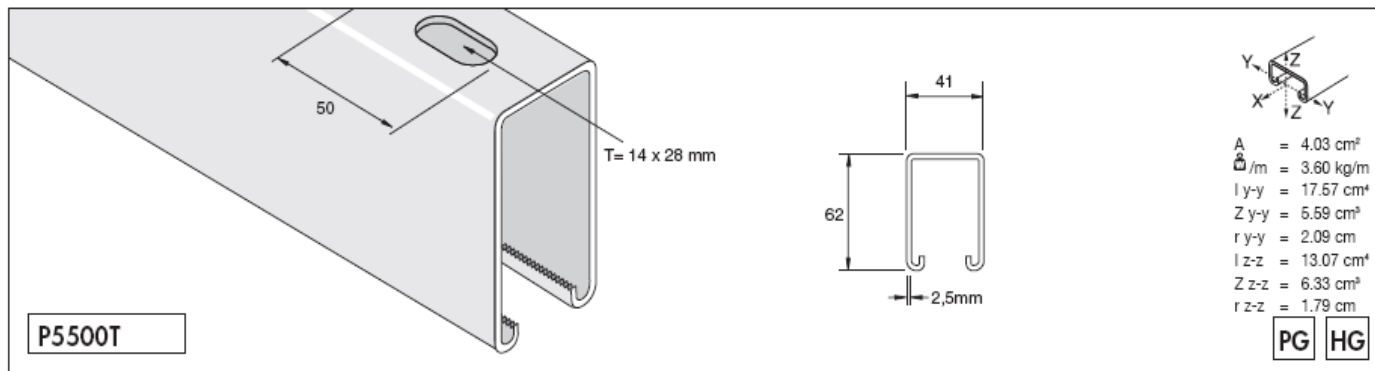
# Product Data Sheet

P5500\*\*

Date: April 2012



## **P5500T\*\*/P5500\*\* (3000mm or 6000mm) - CHANNEL 41 x 62 x 2.5mm**



L(mm)	F		$\sigma = 167 \text{ N/mm}^2$	$f = 1/200L$	$f = 1/360L$	$F_{90}$
	Fmax(kN)	fmax(mm)				
250	-	-	-	-	-	20.277
500	-	-	-	-	-	20.081
750	9.928	1.50	-	-	-	18.443
1000	7.446	2.67	-	-	-	15.246
1250	5.955	4.18	-	-	4.944	12.557
1500	4.964	6.02	-	-	3.434	10.507
1750	4.248	8.19	-	-	2.521	8.966
2000	3.718	10.70	3.473	-	1.923	7.789
2250	3.306	13.55	2.747	-	1.521	6.867
2500	2.972	16.73	2.217	-	1.236	6.141
2750	2.708	20.24	1.834	-	1.020	5.543
3000	2.482	24.09	1.540	-	0.853	5.042

**NOTES:**

1. The allowable loads shown above are shown for simple spans, i.e. beam on two supports with adequate lateral support.
2. Above loads include the weight of the member, this weight should be deducted to arrive at the net allowable load the beam will support.
3. P5500 Channel is not slotted. Material is the same for both types.

**Material:**

- P5500P:- Plain Coil to BS EN 10025 Pickled & Oiled min. yield 280 n/mm<sup>2</sup>
- P5500PG:- Mild steel - BS EN 10346 1.0244
- P5500H:- Plain Coil to BS EN 10025 Pickled & Oiled min. yield 280 n/mm<sup>2</sup>

**Finish:**

- P5500P:- Self Colour
- P5500PG:- BS EN 10346 coating Z275
- P5500H:- Hot Dip Galvanized - Process in accordance with BS EN ISO 1461 to a mean coating thickness (minimum) of 55µm

**UNISTRUT HEALTH & SAFETY DATA SHEET REF'S :**

No. 001 - PLAIN STEEL, PRE-GALVANIZED, GALVANIZED AND STAINLESS STEEL COMPONENTS

No. 099 - HOT DIP GALVANIZING (CHANNEL & COMPONENTS)

No. 102 - STEEL