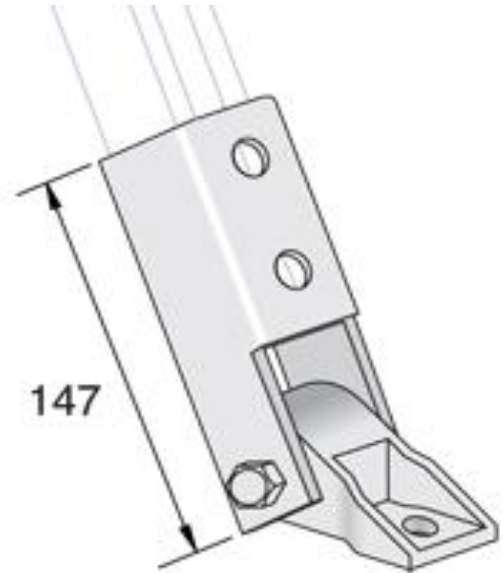


Product Data Sheet

P2815S



Material: U-profile: Steel S280 - EN 10149-3
Foot: Ductile iron ASTM A536 grade 65-45-12

Fixings:- All 14mm diameter holes use M12 grade 8.8 hex head screws with M12 BSEN 10025 S275 or Q235 Channel Nuts.

Finishes: Electro zinc plated - DIN EN 12329

Application: Drawing illustrates only one application for the fitting. In most cases many other applications are possible.

The channels shown in the application are P1000 41mm square.

Loading data varies due to specific application, for all queries contact Unistrut UK.

Part Weight (KG) : 1.53

Box Weight (KG): 15.3

No. Per Box: 10