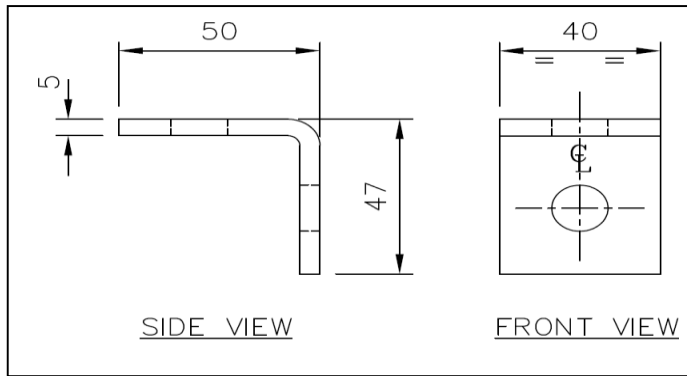
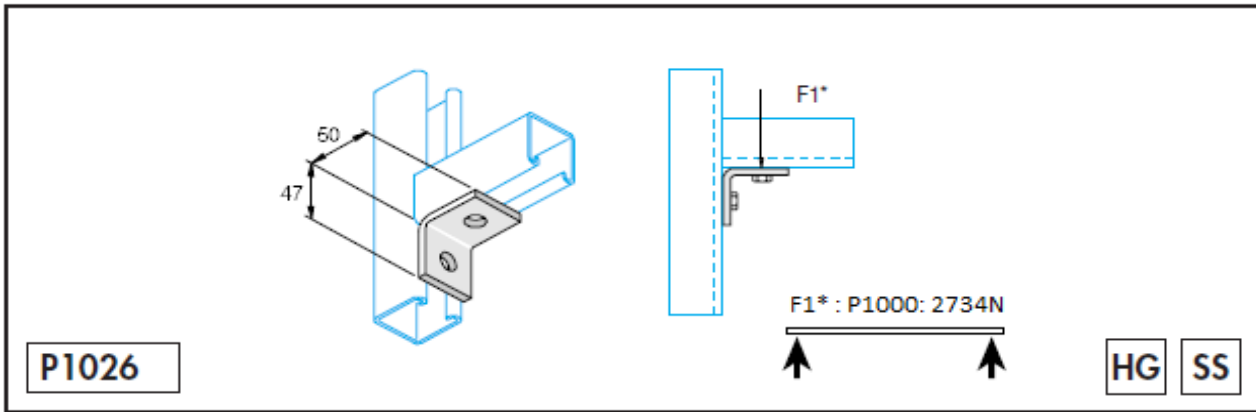


Product Data Sheet

Unistrut ref: P1026** Issue: E Date: November 2015



P1026** - ANGLE BRACKET



<u>Unistrut Ref</u>	<u>Material:</u>
P1026	Steel to BS EN 10149-2-S315MC or Q345
P1026/SS	Stainless Steel BS EN 10088-2-1.4404+2D (S316)

<u>Unistrut Ref</u>	<u>Finish:</u>
P1026	Hot Dip Galvanized to BS EN ISO 1461
P1026/SS	Self Colour - As material specification

Application: Drawings illustrate only one application for the fitting. In many cases other applications are possible. The channels shown in the application are P1000 (41 X 41) except where otherwise noted.

Loading data varies due to specific application, for all queries contact Unistrut UK.

Fixings:- All 14mm diameter holes use M12 grade 8.8 hex head screws with M12 - BSEN 10025 S275 or Q235 channel nuts.

Part Weight:- 0.124Kg

Box Weight: 2.48Kg

No. Per Box; 20

UNISTRUT HEALTH & SAFETY DATA SHEET REF'S :

No. 001 - PLAIN STEEL, PRE-GALVANIZED, GALVANIZED AND STAINLESS STEEL COMPONENTS

No. 099 - HOT DIP GALVANIZING (CHANNEL & COMPONENTS)

No. 102 - STEEL

